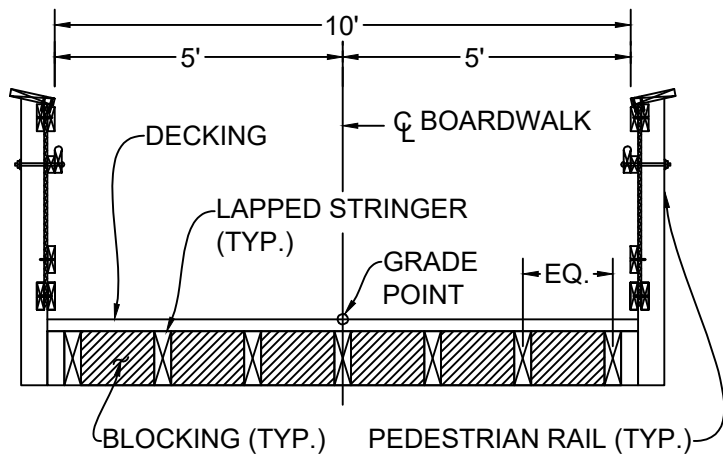
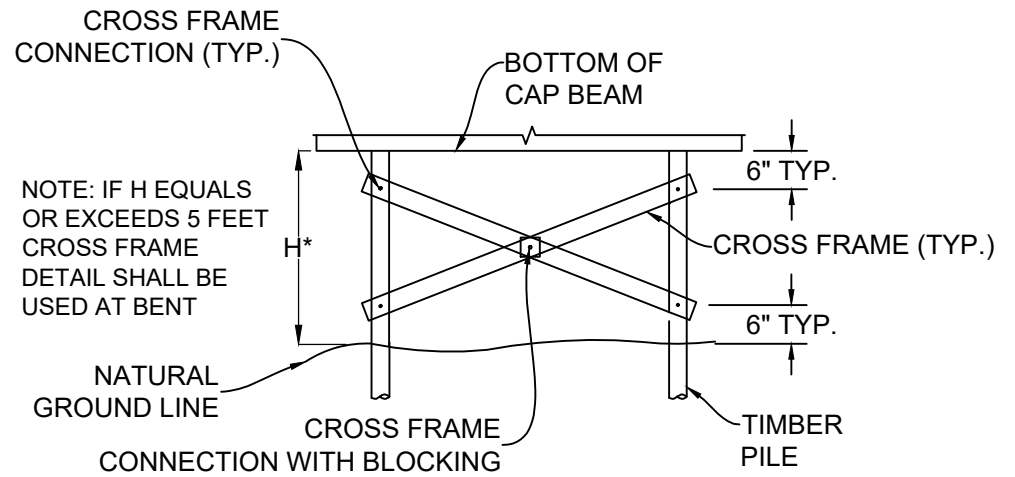


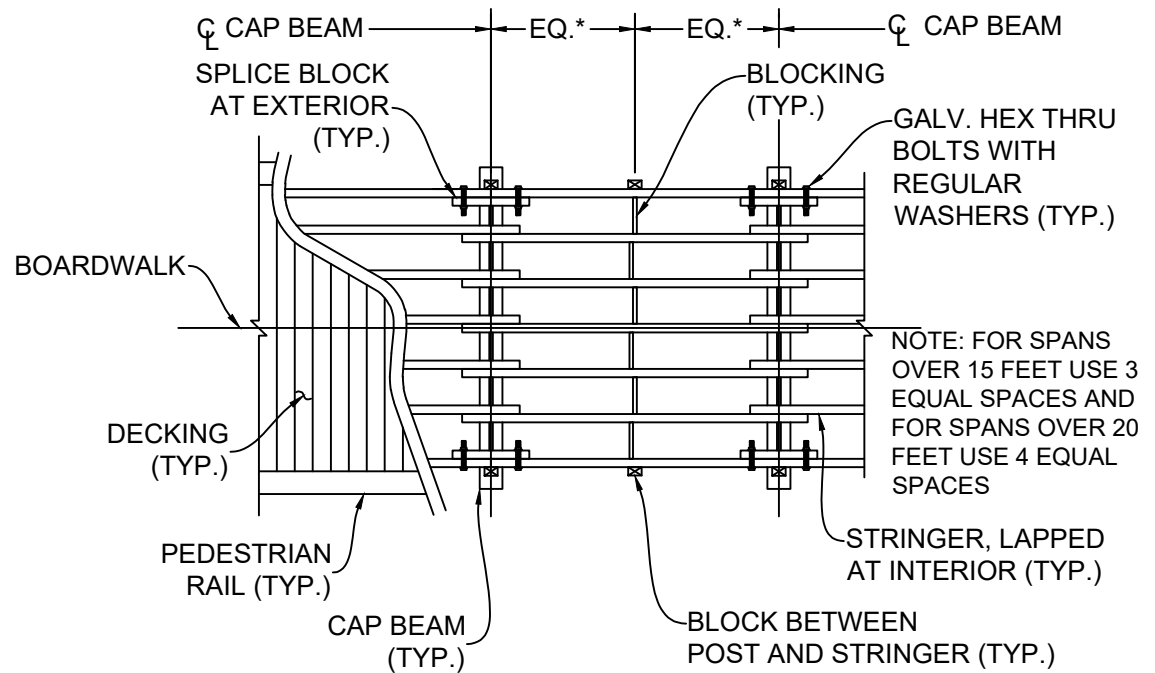
TIMBER BOARDWALK BENT ELEVATION



TYPICAL SECTION THROUGH MIDSPAN



CROSS FRAME DETAIL



TIMBER BOARDWALK DECK FRAMING PLAN (10 FT SPAN TYP.)