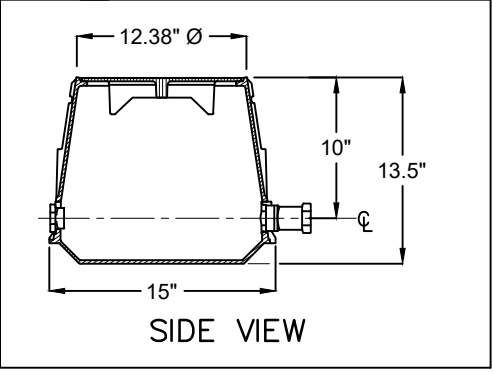
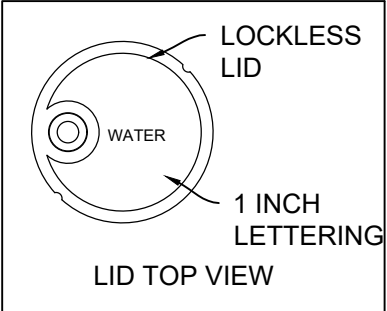


TOWN MAINTENANCE ENDS AT R/W.



NOTES:

1. WATER METER SHALL NOT BE LOCATED IN AREAS SUBJECT TO VEHICULAR TRAFFIC.
2. ALL METER BOXES AND LIDS SHALL BE APPROVED BY THE TOWN.
3. ALL SERVICE LINES, VALVES AND FITTINGS SHALL COMPLY WITH AWWA C800.
4. THE INTERIOR AND EXTERIOR OF THE BOX AND LID SHALL BE COLORED BLACK.
5. ALL RELOCATIONS OF EXISTING OR PERMITTED INFRASTRUCTURE INCLUDING SERVICE PIPING AND METER BOXES SHALL BE PERMITTED AND INSPECTED IN CONFORMANCE WITH TOWN POLICIES AND PROCEDURES.
6. BOX AND LID SHALL BE HDPE.
7. COPPER TUBING SHALL BE LEAD FREE, TYPE K SOFT COPPER TUBING CONFORMING TO ASTM STANDARD B58.
8. MARKING TAPE SHALL BE INSTALLED FOR ALL SERVICE CONNECTIONS FROM THE MAIN LINE TO THE METER FOR ALL NEW CONSTRUCTION OR RETROFIT INSTALLATIONS USING OPEN TRENCH METHODS.

**TOWN OF APEX
STANDARDS**
EFFECTIVE: APRIL 12, 2022

3/4" & 1" WATER SERVICE & METER BOX

STD. NO.
600.01
SHEET 2 OF 2