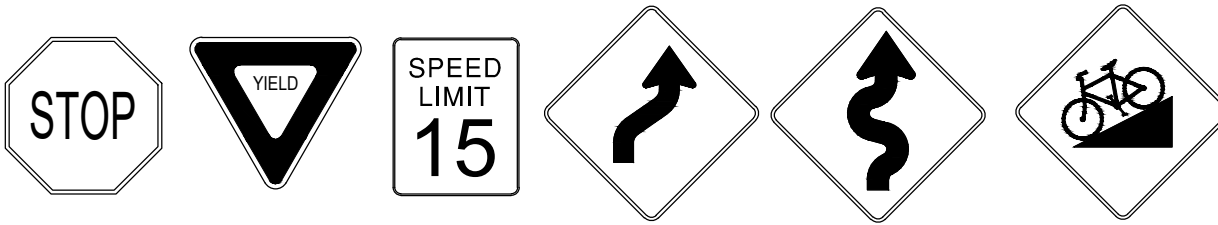
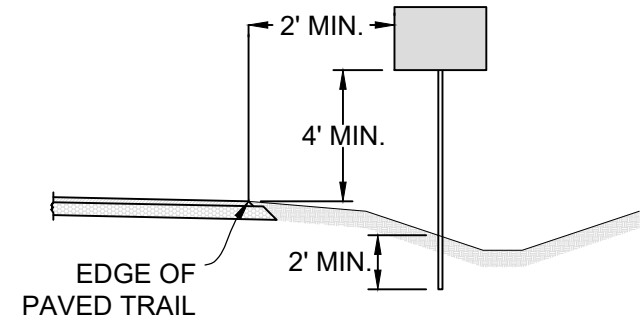


TYPICAL GREENWAY REGULATORY AND WARNING SIGNAGE



SIGN TYPE	SIGN SIZE
R1-1 (STOP)	18" x 18"
R1-2 (YIELD)	18" x 18" x 18"
R2-1 (SPEED LIMIT)	18" x 18"
W1-4 (CURVE WARNING)	18" x 18"
W1-5 (CURVES WARNING)	18" x 18"
W7-5 (SLOPE/HILL WARNING)	18" x 18"

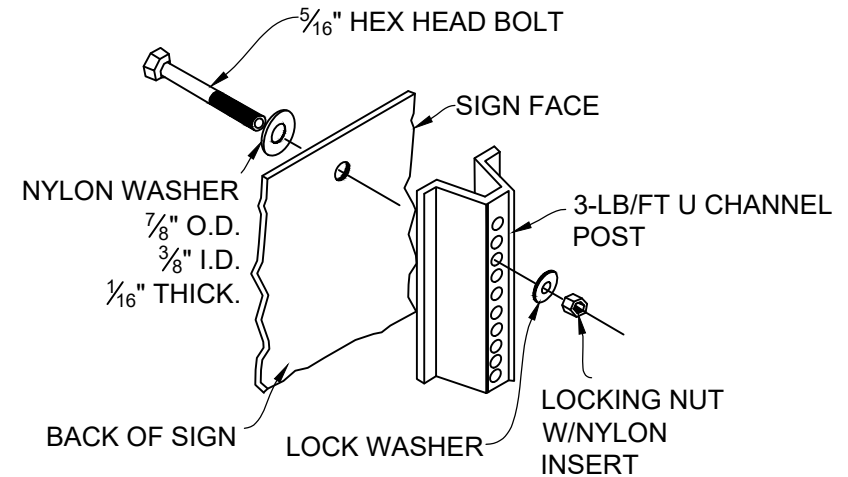
* FOR OTHER TYPES OF SIGNAGE CONSULT THE MUTCD



SIGN PLACEMENT

NOTES:

1. SHEETING MATERIAL FOR ALL SIGNS SHALL BE HIGH INTENSITY PRISMATIC (HIP) TYPE IV MULTI-LAYER SHEETING.
2. A STOP SIGN SHALL BE INSTALLED WHENEVER A PUBLIC GREENWAY INTERSECTS A ROADWAY (EXCEPT FOR STREET-SIDE GREENWAYS), AND SHALL BE INSTALLED FOR PRIVATE GREENWAYS AS INDICATED ON PLANS.
3. A YIELD SIGN SHALL BE INSTALLED ON THE MINOR APPROACHES AT CROSSINGS OF TWO GREENWAYS, OR WHERE INDICATED ON THE PLANS.
4. STEEP SLOPE/HILL WARNING SIGNAGE SHALL BE INSTALLED AT A MINIMUM DISTANCE OF 50 FEET APPROACHING DOWNHILL SLOPES THAT EXCEED 5 PERCENT.
5. CURVE WARNING (W1-4) SIGNAGE SHALL BE INSTALLED AT A MINIMUM DISTANCE OF 50 FEET APPROACHING HORIZONTAL CURVES WITH A RADIUS OF LESS THAN 50 FEET. MULTIPLE CURVES (W1-5) SIGNAGE SHALL BE INSTALLED WHERE A COMBINATION OF SLOPE EXCEEDS 5 PERCENT AND HORIZONTAL CENTERLINE CURVE RADIUS IS LESS THAN 50 FEET.
6. REFER TO MUTCD FOR ALL OTHER GUIDANCE.



SIGN MOUNTING DETAIL

TOWN OF APEX
STANDARDS

EFFECTIVE: JANUARY 12, 2021

GREENWAY SIGNAGE

STD. NO.

900.03

SHEET 2 OF 2